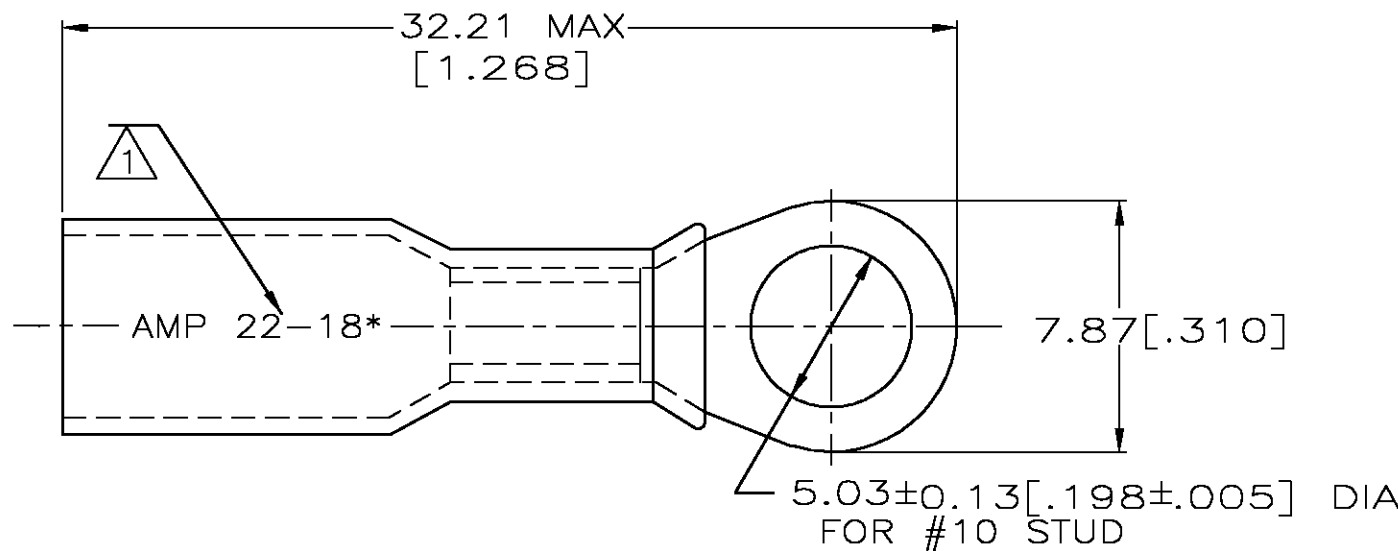


THIS DRAWING IS UNPUBLISHED. RELEASED FOR PUBLICATION ,19
 © COPYRIGHT 19 BY AMP INCORPORATED. ALL INTERNATIONAL RIGHTS RESERVED.

LOC	DIST	P	F	REVISIONS			DATE	APPD
G	14			ZONE	LTR	DESCRIPTION		
					D	REV PER 0G3A-0001-03	06JAN03	JR/TM

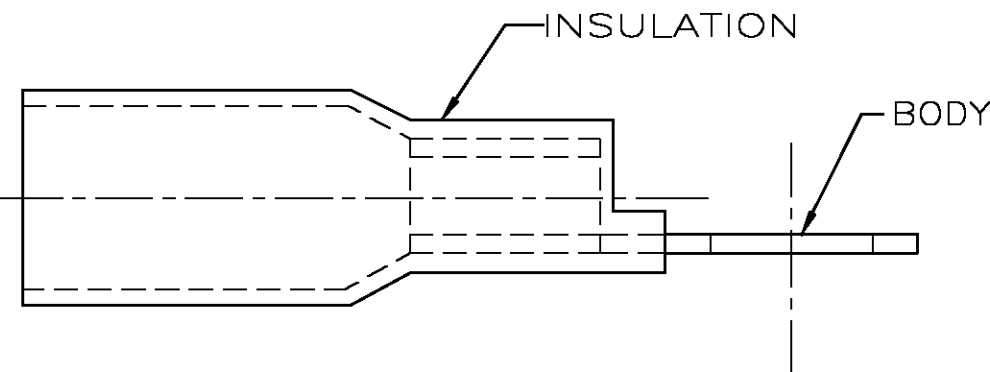
AMP WIRE RANGE	Listed	Certified
22-18 AWG STRANDED	22-18 AWG STRANDED WITH HAND TOOL 55893-1 ONLY	22-18 AWG STRANDED WITH HAND TOOL 55893-1 ONLY

METRIC
 DIMENSIONS LISTED IN mm [INCHES]



NOTES:

- ① STAMP AMP 22-18* APPROX AS SHOWN
- 2. WIRE INSULATION DIA 4.32 [.170] MAX
- 3. TONGUE MATERIAL THK 0.76±0.50mm [.030±.002]
- ④ NO AGENCY APPROVALS - NEITHER UL OR CSA APPROVED.
- ⑤ PRELIMINARY - NOT FOR PRODUCTION



3000	ON TAPE, REEL	④⑤ 2-55848-1
50	LOOSE PIECE	8-55848-2
1000	LOOSE PIECE	55848-1
QTY	PACKAGE TYPE	PART NO
DR 6/93 S S GOULDEN	AMP AMP Incorporated Harrisburg, PA 17105-3608	
CHK 6/93 R HERSEY		
APPD 6/93 B BARE	NAME TERMINAL, RING TONGUE, SEALABLE HEAT SHRINKABLE	
APPD 6/93 M ELLIS	SIZE	CAGE CODE
PRODUCT SPEC	B	00779
APPLICATION SPEC	DRAWING NO C-55848	
WEIGHT -	SCALE	SHEET
	NTS	1 OF 1

**AMP INCORPORATED
 CUSTOMER SERVICE SYSTEMS**

FOR ADDITIONAL PRODUCT INFORMATION OR COPIES OF DRAWINGS AND TECHNICAL DOCUMENTS	PRODUCT INFORMATION CENTER 1-800-522-6752
FOR APPLICATION TOOLING INFORMATION	TOOLING ASSISTANCE CENTER 1-800-722-1111
FOR ORDER ENTRY	1-800-526-5142

MAX RECOMMENDED OPERATING TEMPERATURE:

125° C MAX

VOLTAGE RATING:
 600V MAX (BUILDING WIRING)
 1000V MAX (FIXTURES & SIGNS)

CIRCULAR MIL AREA:
 0.26-0.96mm² [509 TO 1900]
 STRANDED

THIS DRAWING IS A CONTROLLED DOCUMENT FOR AMP INCORPORATED. IT IS SUBJECT TO CHANGE AND THE CONTROLLING ENGINEERING ORGANIZATION SHOULD BE CONTACTED FOR THE LATEST REVISION.

DO NOT SCALE PRINT. UNLESS SPECIFIED
 DIMENSIONS IN mm [INCHES]
 TOLERANCES ON:
 2 PLC DEC ± 0.20[.008]
 3 PLC DEC ± -
 ANGLES ± -

MATERIAL
 BODY: ETP COPPER
 INSULATION: POLYOLEFIN
 COLOR: RED

FINISH
 EDP TIN PLATED